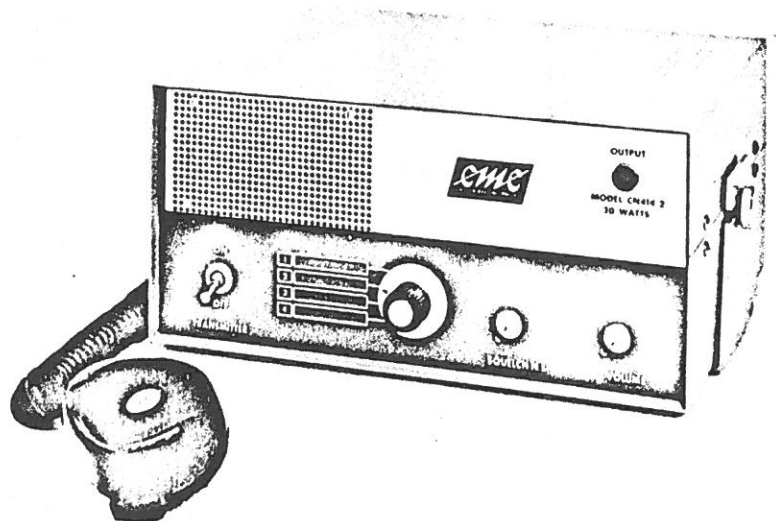
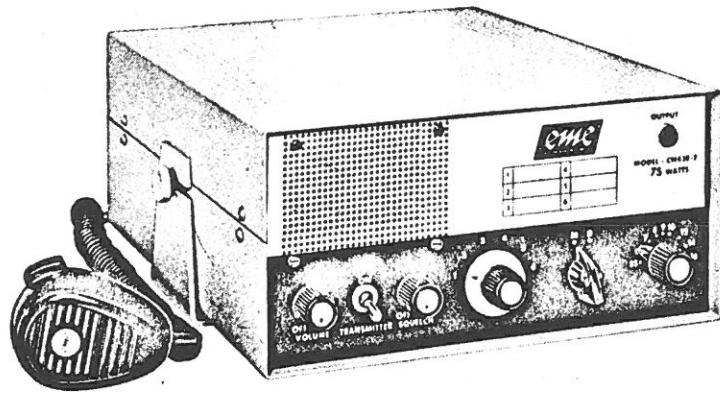
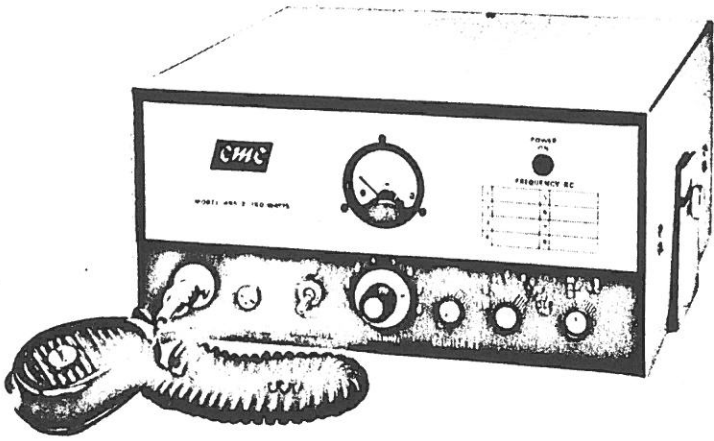
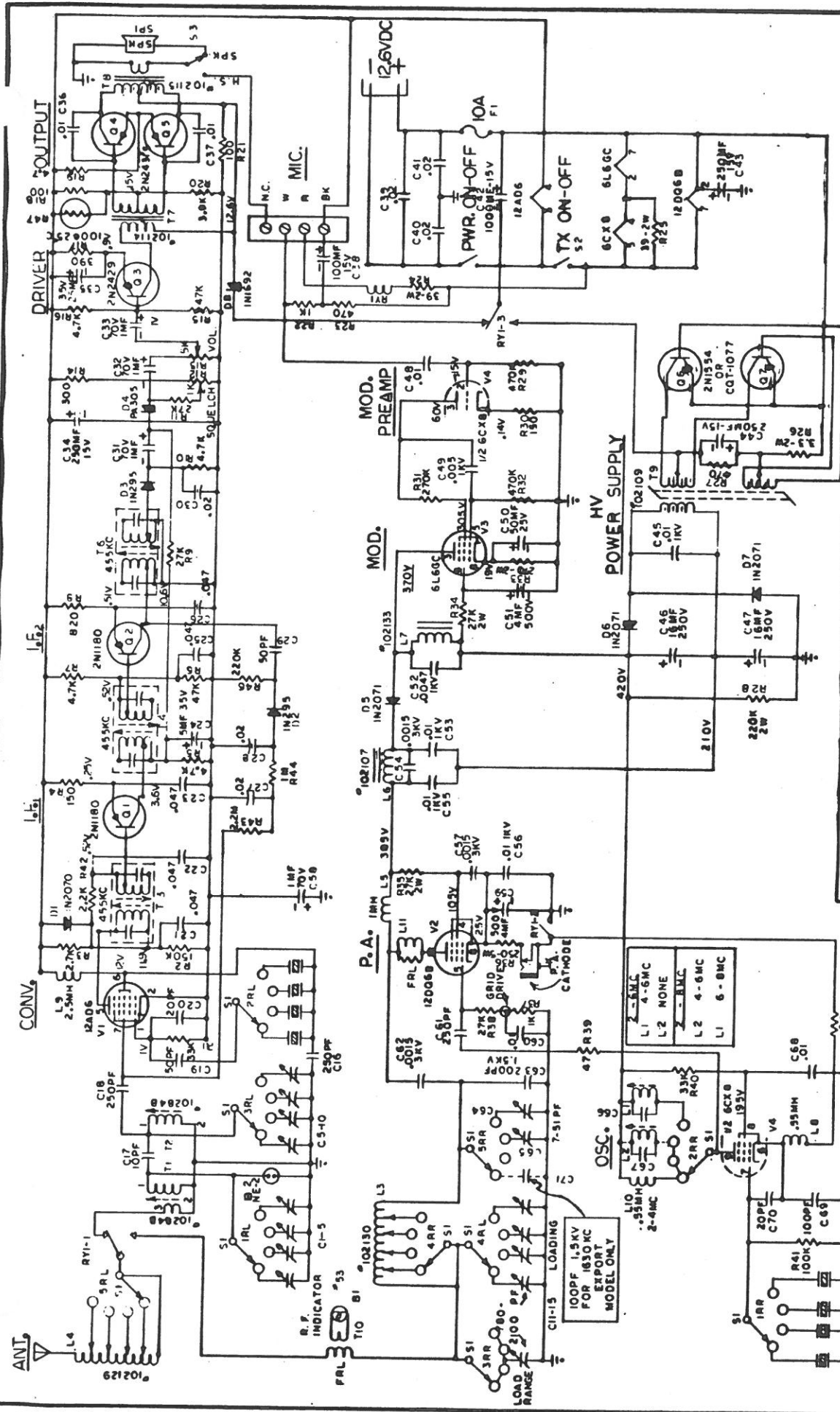


INSTALLATION AND OPERATING INSTRUCTIONS

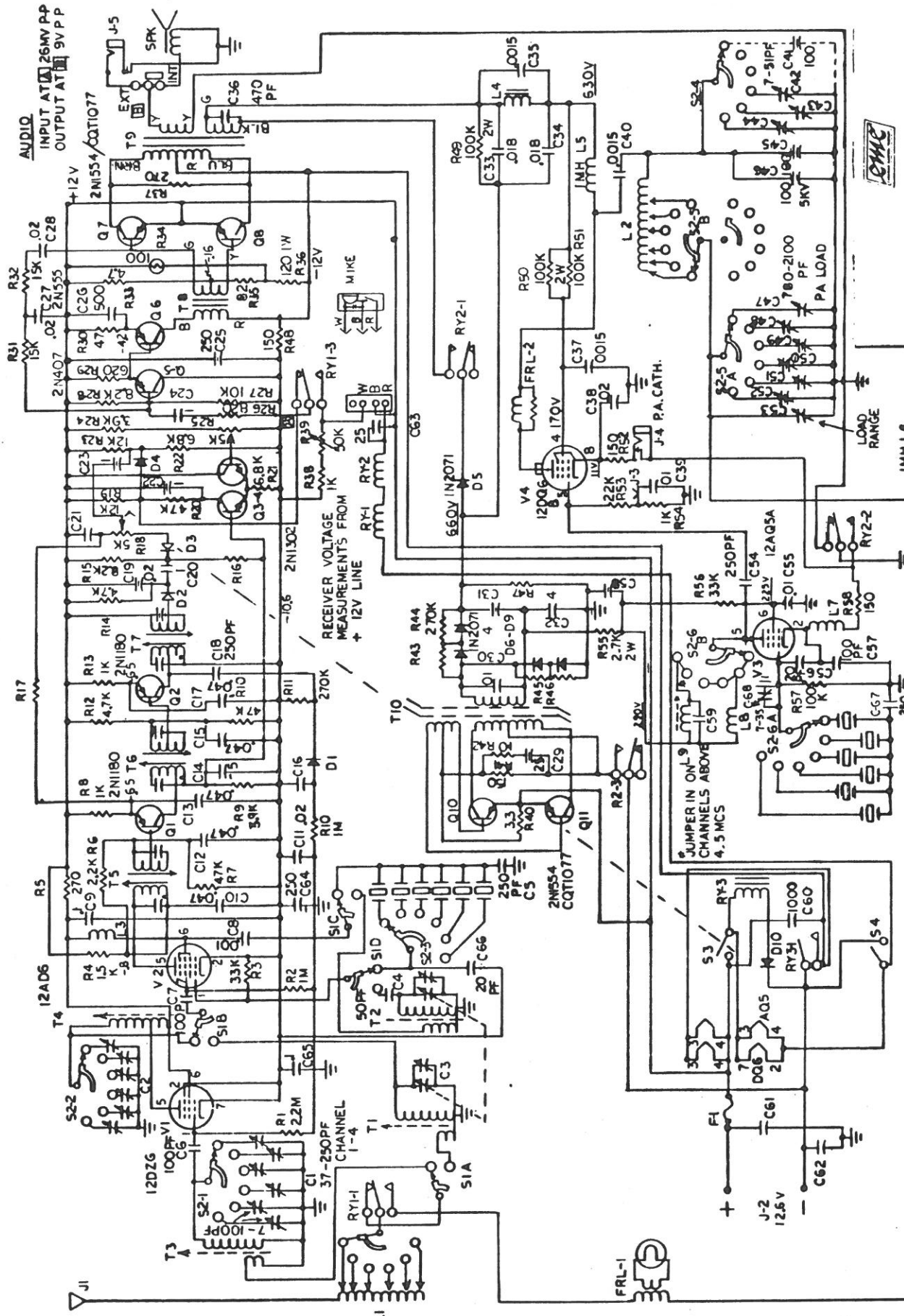




CAUTION
OBSERVE POLARITY

1. All resistors in Ω , 1/2 watt, 1% unless noted.
 2. All capacitors in μ F, unless noted. μ F = 1000 pF.
 3. All transistors are μ type.
 4. All voltages are measured with 200 Ω /volt RFL.
 5. All transformer voltages referred to primary side of line etc.
 6. All tube voltages are referred to the cathode side of the line or GND.

CMC
CANADIAN MARCONI COMPANY
CN414-2



CANADIAN MARCONI COMPANY
CN438-2

- 1 ALL CAPACITORS IN MFD UNLESS NOTED. 2. ALL MEASUREMENTS WITH SQUELCH OFF. 3. FOR COVERAGE TO 1600KC ADD C41 TO POSITION 1 ON S2.4.
- ALL RESISTORS IN OHMS UNLESS NOTED. USE A 20K/VOLT VOM.
- BAND SWITCH IN CHANNEL 1 POSITION. TRANSMITTER MEASUREMENTS WITH RESPECT TO CHASSIS.

