

52 A

RECEIVER TUNING DIAL MECHANISM  
EXPLODED VIEW

FIGURE 42

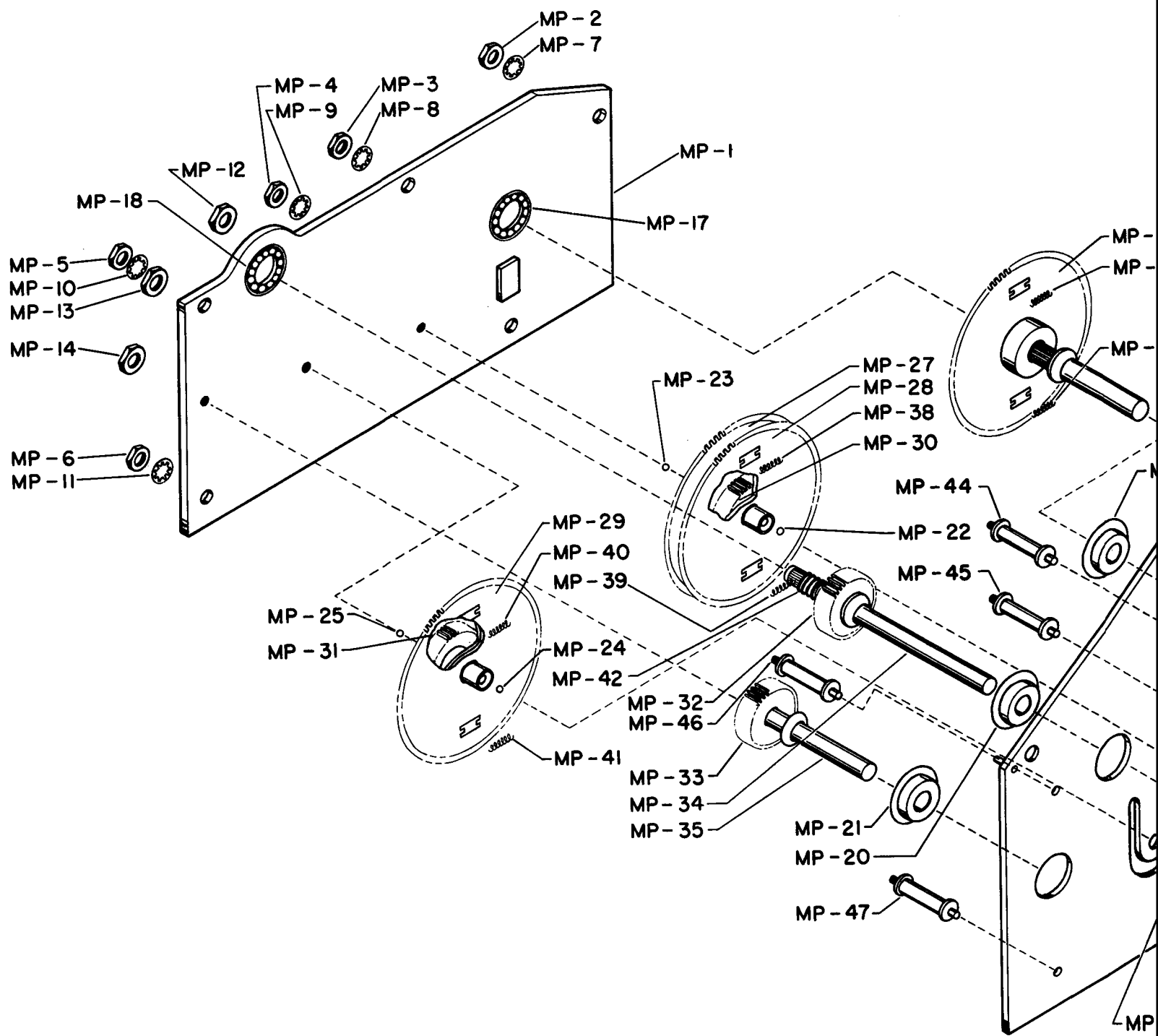


FIGURE-42 CSR5-A RECEIVER TUNING DIAL MECHANISM  
EXPLODED VIEW

## LIST OF PARTS

REF. DESIGNATION	NAME
MP-1	PLATE, BACK
MP-2	NUT-HEXAGON, STEEL, *6-32
MP-3	SAME AS MP-2
MP-4	SAME AS MP-2
MP-5	SAME AS MP-2
MP-6	SAME AS MP-2
MP-7	LOCKWASHER #8 INTERNAL TYPE
MP-8	SAME AS MP-7
MP-9	SAME AS MP-7
MP-10	SAME AS MP-7
MP-11	SAME AS MP-7
MP-12	NUT-HEXAGON, STEEL, *10-32
MP-13	SAME AS MP-12
MP-14	SAME AS MP-12
MP-15	SAME AS MP-12
MP-16	SAME AS MP-12
MP-17	BALL BEARINGS $\frac{3}{32}$ " DIA.
MP-18	SAME AS MP-17
MP-19	BALL BEARINGS $\frac{1}{8}$ " DIA.
MP-20	SAME AS MP-19
MP-21	SAME AS MP-19
MP-22	BALL BEARINGS $\frac{3}{32}$ " DIA.
MP-23	SAME AS MP-22
MP-24	SAME AS MP-22
MP-25	SAME AS MP-22
MP-26	GEAR-SPUR TYPE, STAINLESS STEEL, 144 TEETH, PITCH 48, PITCH DIA. 3"
MP-27	SAME AS MP-26
MP-28	SAME AS MP-26
MP-29	SAME AS MP-26
MP-30	GEAR-SPUR TYPE, BRASS, 40 TEETH, PITCH 48, PITCH DIA. .833 <sup>+</sup>
MP-31	SAME AS MP-30
MP-32	SAME AS MP-30
MP-33	SAME AS MP-30
MP-34	SHAFT - $\frac{1}{4}$ " DIA. $3\frac{1}{2}$ " LONG
MP-35	SHAFT - $\frac{1}{2}$ " DIA. $2\frac{1}{4}$ " LONG
MP-36	SPRING-SPRING WIRE .020" O.D. .130" CORE $\frac{1}{4}$ " - $\frac{3}{8}$ " LONG
MP-37	SAME AS MP-36
MP-38	SAME AS MP-36
MP-39	SAME AS MP-36
MP-40	SAME AS MP-36
MP-41	SAME AS MP-36
MP-42	SPRING-SPRING WIRE .031" O.D. .320" CORE $\frac{1}{4}$ " - $\frac{3}{8}$ " LONG
MP-43	SPACER
MP-44	SAME AS MP-43
MP-45	SAME AS MP-43
MP-46	SAME AS MP-43
MP-47	SAME AS MP-43
MP-48	PLATE, FRONT
MP-49	STRAP
MP-50	SET SCREW *10-32 $\frac{3}{8}$ " LONG
MP-51	SAME AS MP-50
MP-52	BALANCE WHEEL $\frac{5}{16}$ "
MP-53	SET SCREW *8-32 $\frac{5}{16}$ " LONG
MP-54	SAME AS MP-53
MP-55	SCREW *6-32 $\frac{3}{8}$ " LONG
MP-56	LOCKWASHER #8 EXTERNAL TYPE
MP-57	SAME AS MP-2

FOR REFERENCE PURPOSES ONLY