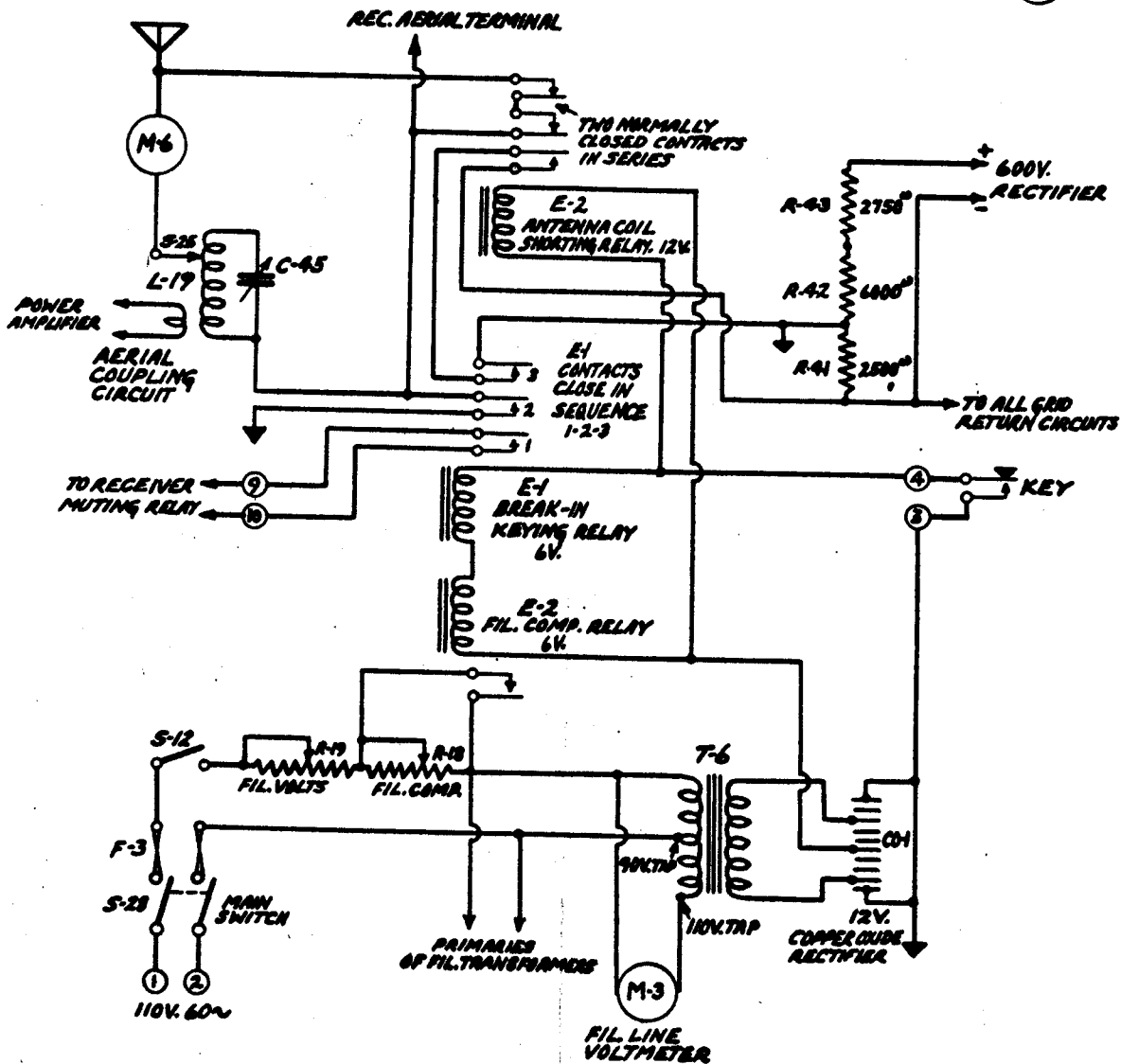


POWER SUPPLY CIRCUITS PV 500 HM TRANSMITTER



**KEYING CIRCUITS
PV 500 HM TRANSMITTER**